

Flanged Gate valve bolted bonnet

Type **11222**

Bronze Flanged Gate valve bolted bonnet, PN10

Flange connection according to UNI EN 1092-3:2005 or ASA 150

11222.510 YY.Z

Bronze body and top work with maintenance-free gland packing and non rising stem.

Available options:

Pos	Code	Description
YY	-	Please see chart below
Z	-	Flange customization at request
Z	.40301	Indicator



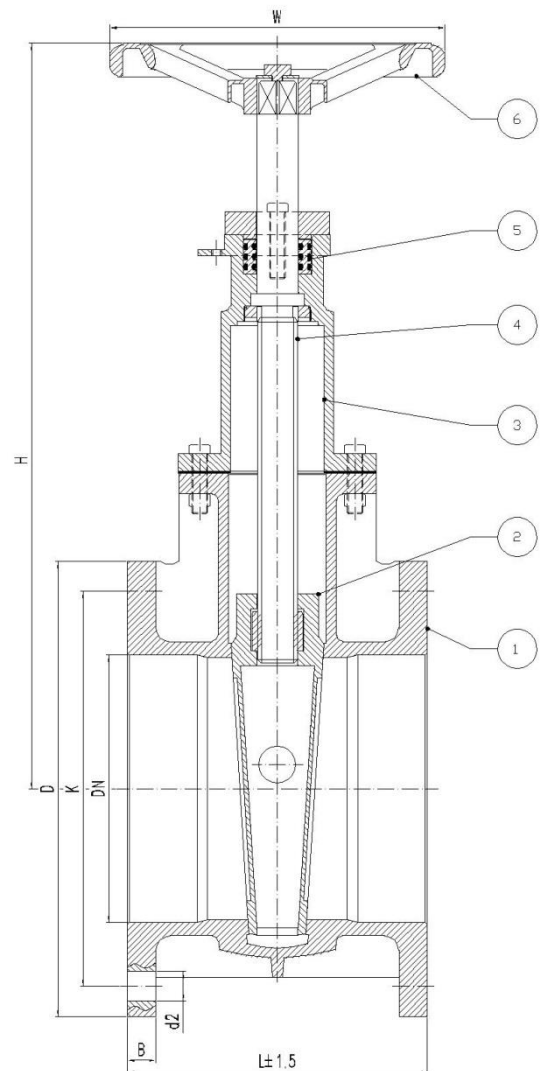
Application Suitable for Offshore applications. The laws, regulations and standards are to observe for the range of application.

Working temperatures and pressure
 Up to max. 10.0 bar: -25°C to +180°C (Viton O-Rings)
 Up to max. 10.0 bar: -40°C to +180°C (PTFE Packing)
 Up to max. 10.0 bar: -50°C to +180°C (FluorSilicone O-rings)

IMPORTANT: When requesting an offer or order, please indicate flow medium, working pressure and working temperature.

Standard marking acc.to Pressure Equipment Directive 2014/68/EU (PED).

Pressure test acc.to EN 12266:2004 – Rate “A”.



Description	Materials
1 Body	Bronze CC480K
2 Wedge	Bronze CC480K
3 Bonnet	Bronze CC480K
4 Stem	Bronze CC483K
5 Packing	O-Ring Viton
6 Hand wheel	Steel

Description	Dimensions [mm]		
Nominal size	DN	200	250
Size code	YY	64	65
Hand wheel-Ø	W	300	300
Face-to-face dimension	L	224	250
Width to flange*	B	24	24
Height	H	585	680
Flange diameter*	D	340	395
Distance between holes*	K	295	350
N° and holes diameter*	n x d ₂	8 x 22	12 x 22

* Dimensions related to Flange PN16 according to UNI EN 1092-3:2005